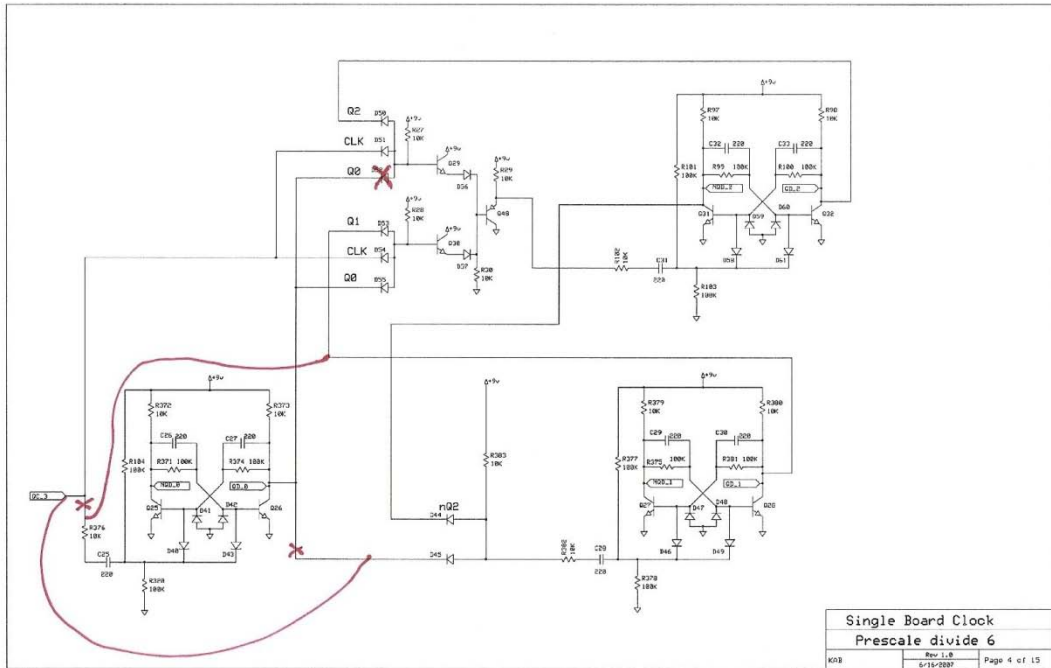


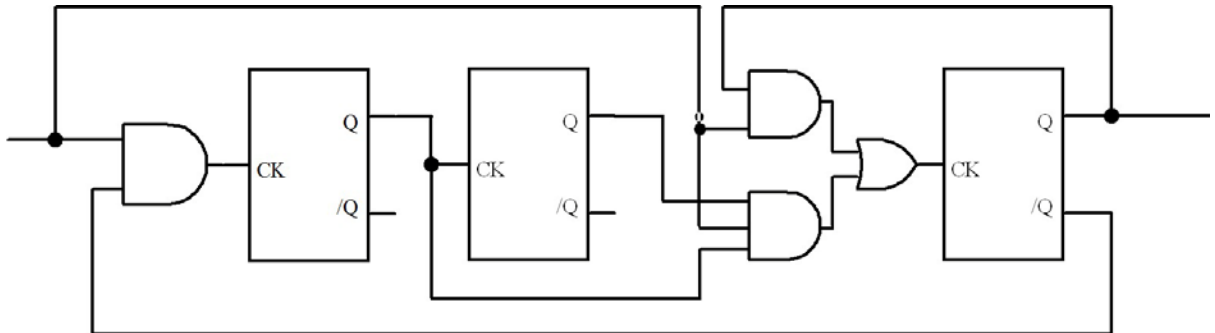
Transistor Clock 50Hz mod.

- 1) Change divide 6 to divide 5:

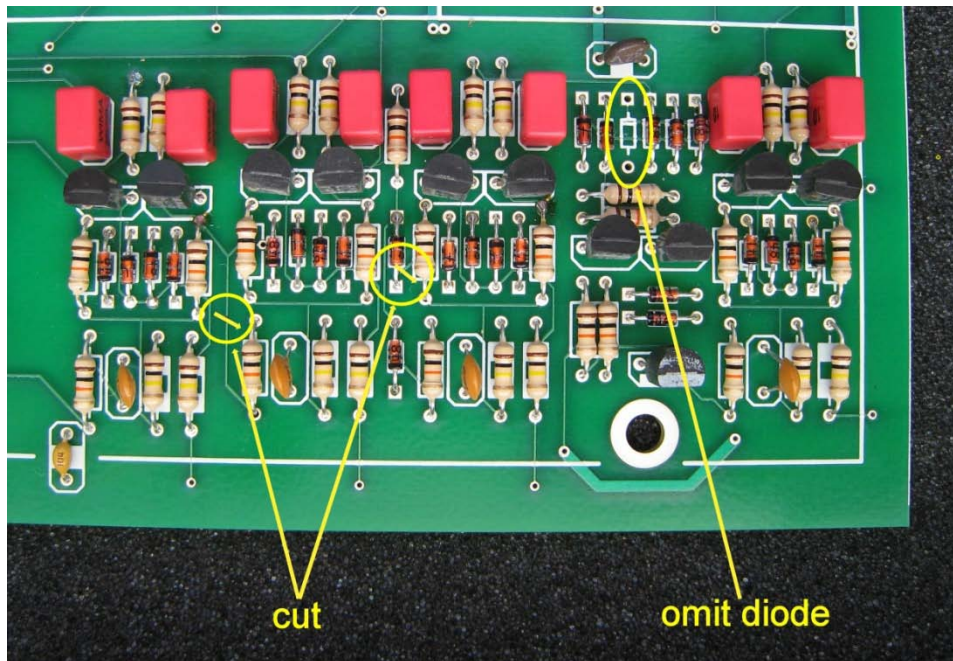


DIVIDE BY 5 MOD

Effective circuit:-



Top side: two cuts, omit one diode



Underside mods: one cut, three links:-

